



Crepe Griddles

Models CE-CN-0400R, 0400S, 0400D

Items 47388, 47389, 47390

Instruction Manual



Revised - 09/06/2023

Toll Free: 1-800-465-0234

Fax: 905-607-0234

Email: service@omcan.com

www.omcan.com



Table of Contents

Model CE-CN-0400R / Model CE-CN-0400S / Model CE-CN-0400D

Section	Page
General Information -----	3 - 4
Safety and Warranty -----	4 - 6
Technical Specifications -----	6
Installation -----	6 - 7
Operation -----	7
Maintenance -----	7
Troubleshooting -----	8
Parts Breakdown -----	9 - 12
Electrical Schematics -----	13 - 14
Warranty Registration -----	15



General Information

Omcan Manufacturing and Distributing Company Inc., Food Machinery of America, Inc. dba Omcan and Omcan Inc. are not responsible for any harm or injury caused due to any person's improper or negligent use of this equipment. The product shall only be operated by someone over the age of 18, of sound mind, and not under the influence of any drugs or alcohol, who has been trained in the correct operation of this machine, and is wearing authorized, proper safety clothing. Any modification to the machine voids any warranty, and may cause harm to individuals using the machine or in the vicinity of the machine while in operation.

CHECK PACKAGE UPON ARRIVAL

Upon receipt of an Omcan shipment please inspect for external damage. If no damage is evident on the external packaging, open carton to ensure all ordered items are within the box, and there is no concealed damage to the machine. If the package has suffered rough handling, bumps or damage (visible or concealed), please note it on the bill of lading before accepting the delivery and contact Omcan within 24 hours, so we may initiate a claim with the carrier. A detailed report on the extent of the damage caused to the machine must be filled out within three days, from the delivery date shown in the shipping documents. Omcan has no recourse for damaged products that were shipped collect or third party.

Before operating any equipment, always read and familiarize yourself with all operation and safety instructions.

Omcan would like to thank you for purchasing this machine. It's of the utmost importance to save these instructions for future reference. Also save the original box and packaging for shipping the equipment if servicing or returning of the machine is required.

Omcan Fabrication et distribution Compañie Limité et Food Machinery d'Amérique, dba Omcan et Omcan Inc. ne sont pas responsables de tout dommage ou blessure causé du fait que toute personne ait utilisé cet équipement de façon irrégulière. Le produit ne doit être exploité que par quelqu'un de plus de 18 ans, saine d'esprit, et pas sous l'influence d'une drogue ou d'alcool, qui a été formé pour utiliser cette machine correctement, et est vêtu de vêtements de sécurité approprié. Toute modification de la machine annule toute garantie, et peut causer un préjudice à des personnes utilisant la machine ou des personnes à proximité de la machine pendant son fonctionnement.

VÉRIFIEZ LE COLIS DÈS RÉCEPTION

Dès réception d'une expédition d'Omcan veuillez inspecter pour dommages externes. Si aucun dommage n'est visible sur l'emballage externe, ouvrez le carton afin de s'assurer que tous les éléments commandés sont dans la boîte, et il n'y a aucun dommage dissimulé à la machine. Si le colis n'a subi aucune mauvaises manipulations, de bosses ou de dommages (visible ou cachée), notez-le sur le bond de livraison avant d'accepter la livraison et contactez Omcan dans les 24 heures qui suivent, pour que nous puissions engager une réclamation auprès du transporteur. Un rapport détaillé sur l'étendue des dommages causés à la machine doit être rempli dans un délai de trois jours, à compter de la date de livraison indiquée dans les documents d'expédition. Omcan n'a aucun droit de recours pour les produits endommagés qui ont été expédiés ou cueilli par un tiers transporteur.

General Information

Avant d'utiliser n'importe quel équipement, toujours lire et vous familiariser avec toutes les opérations et les consignes de sécurité.

Omcan voudrais vous remercier d'avoir choisi cette machine. Il est primordial de conserver ces instructions pour une référence ultérieure. Également conservez la boîte originale et l'emballage pour l'expédition de l'équipement si l'entretien ou le retour de la machine est nécessaire.

Omcan Empresa De Fabricacion Y Distribucion Inc. Y Maquinaria De Alimentos De America, Inc. dba Omcan y Omcan Inc. no son responsables de ningun daño o perjuicio causado por cualquier persona inadecuada o el uso descuidado de este equipo. El producto solo podra ser operado por una persona mayor de 18 años, en su sano juicio y no bajo alguna influencia de droga o alcohol, y que este ha sido entrenado en el correcto funcionamiento de esta máquina, y ésta usando ropa apropiada y autorizada. Cualquier modificación a la máquina anula la garantía y puede causar daños a las personas usando la máquina mientras esta en el funcionamiento.

REVISE EL PAQUETE A SU LLEGADA

Tras la recepcion de un envio Omcan favor inspeccionar daños externos. Si no hay daños evidentes en el empaque exterior, Habra el carton para asegurarse que todos los articulos solicitados estén dentro de la caja y no encuentre daños ocultos en la máquina. Si el paquete ha sufrido un manejo de poco cuidado, golpes o daños (visible o oculto) por favor anote en la factura antes de aceptar la entrega y contacte Omcan dentro de las 24 horas, de modo que podamos iniciar una reclamación con la compañía. Un informe detallado sobre los daños causados a la máquina debe ser llenado en el plazo de tres días, desde la fecha de entrega que se muestra en los documentos de envío. Omcan no tiene ningun recurso por productos dañados que se enviaron a recoger por terceros.

Antes de utilizar cualquier equipo, siempre lea y familiarizarse con todas las instrucciones de funcionamiento y seguridad.

Omcan le gustaría darle las gracias por la compra de esta máquina. Es de la mayor importancia para salvar estas instrucciones para futuras consultas. Además, guarda la caja original y el embalaje para el envío del equipo si servicio técnico o devolución de la máquina que se requiere.

Safety and Warranty

IMPORTANT SAFETY INFORMATION

When using electrical appliances, basic safety precautions should always be followed, including the following:

1. Read all instructions carefully and completely.
2. For commercial use only.
3. Do not touch hot surfaces.
4. Protect against electrical shock by keeping all cords, plugs, and other electrical components away from



Safety and Warranty

water or other liquids.

5. Unplug this unit when not in use and before cleaning.
6. Allow the unit to cool before putting on or taking off parts.
7. Do not operate this or any appliance with a damaged electrical cord or plug.
8. Do not operate this or any appliance after it has malfunctioned or been damaged in any way.
9. Do not use outdoors.
10. Do not place on or near a hot gas or electric burner.
11. Attach plug to appliance first, then plug electrical cord into the wall outlet.
12. Disconnect the unit by turning the temperature and timer control to "OFF", then removing the electrical plug from the wall outlet.
13. Do not use appliance for any application other than intended use.
14. Do not insert metal utensils or oversized foods into this unit as they may cause a fire and heighten the risk of electrical shock.
15. Do not store any item on top of this unit when in operation.
16. Do not allow this oven to touch or be covered by flammable material, such as curtains, draperies, walls, etc., when in operation.
17. Do not clean with metal scouring pads as pieces can break off and touch electrical components, heightening the risk of electrical shock.
18. Never place materials such as paper, cardboard, plastic, etc. in this oven.
19. Do not cover interior of this unit with metal foil as it may cause the oven to overheat.
20. Avoid scratching the surface or nicking the edges of this unit's tempered, safety glass door. If the oven door has a scratch or nick, contact customer service before use.
21. Turn the appliance off by turning the temperature and timer control to the "OFF" position.
22. Note that the use of accessories not recommended by the manufacturer may result in injury.
23. Children should be supervised to ensure that they do not play with the oven.
24. This appliance is not intended for use by persons (including children) with reduced physical sensory or mental capabilities, or lack of experience and knowledge, unless they have been given supervision or instruction concerning use of the appliance by a person responsible for their safety.
25. When using the appliance in shops, snack bars, hotels etc., check the voltage and outlet to make sure the appliance is correctly connected with power.
26. Place unit on a flat surface that is well ventilated. The appliances must be supervised during operation, DO NOT leave appliance without powering off.

Note: save these instructions for future reference.

RESIDENTIAL USERS: vendor assumes no liability for parts or labor coverage for component failure or other damages resulting from installation in non-commercial or residential applications. The right is reserved to deny shipment for residential usage; if this occurs, you will be notified as soon as possible.

1 YEAR PARTS AND LABOUR WARRANTY

Within the warranty period, contact Omcan Inc. at 1-800-465-0234 to schedule an Omcan authorized service technician to repair the equipment locally.

Unauthorized maintenance will void the warranty. Warranty covers electrical and part failures, not

Safety and Warranty

improper use.

Please see <https://omcan.com/disclaimer> for complete info.

WARNING:

The packaging components are classified as normal solid urban waste and can therefore be disposed of without difficulty.

In any case, for suitable recycling, we suggest disposing of the products separately (differentiated waste) according to the current norms.

DO NOT DISCARD ANY PACKAGING MATERIALS IN THE ENVIRONMENT!

Technical Specifications

Model	CE-CN-0400R	CE-CN-0400S	CE-CN-0400D
Power	1750W		1750 + 1750W
Electrical	110-120V / 60Hz / 1		
Dimension	19.7" x 19.7" x 7.1" 500 x 500 x 180mm	17.7" x 17.7" x 9.4" 450 x 450 x 240mm	34.3" x 17.7" x 9.4" 870 x 450 x 240mm
Weight	29 lbs. / 13.2 kgs.	38.6 lbs. / 17.5 kgs.	71.1 lbs. / 32.3 kgs.
Packaging Dimensions	21.7" x 21.7" x 8.7" 550 x 550 x 220mm	20.7" x 20.7" x 11.8" 525 x 525 x 300mm	37.2" x 20.7" x 11.8" 945 x 525 x 300mm
Packaging Weight	32.6 lbs. / 14.8 kgs.	39.9 lbs. / 18.1 kgs.	74.5 lbs. / 33.8 kgs.
Item Number	47388	47389	47390

Installation

Caution: this unit must be installed in a noncombustible location only.

Caution: these procedures must be performed by qualified personnel or warranty will be void.

Warning: check the data plate on this unit before installation. Connect the unit only to the voltage and frequency listed on the data plate. Connect only to the phase listed on the data plate.

1. Unbox the hot plate. Make sure no parts are discarded with crating and packing material.



Installation

2. Always clean the equipment thoroughly before the first use. Check rating label for your model designation and electrical rating, for best results, use stainless steel countertop.
3. Attach legs to unit.
4. Set the hot plate in the operating location.

ELECTRICAL CONNECTIONS

Check the data plate to determine what voltage this hot plate is wired for.

WARNING: IMPROPER GROUNDING COULD RESULT IN ELECTRICAL SHOCK

This appliance is equipped with a three-prong (grounded) plug for your protection against shock hazards and should be plugged directly into a properly grounded three-prong receptacle. Do not cut or remove the grounding prong from this plug.

Operation

Plug hot plate in and turn on the power switch. The unit has been calibrated at the factory. Wait for the unit to heat up. If the product is too cool or too warm, adjust the infinite switch. The temperature adjustment is located in the control box of the unit. If you are unable to set your hot plate to the desired temperature, contact your factory authorized service agent for adjustment.

Note: all food service equipment should be operated by trained personnel.

Warning: this unit is not intended to hold potentially hazardous food such as uncooked or non-preserved meats and sausages.

Maintenance

Note: to maintain cleanliness and increase life of the unit, the hot plate should be cleaned daily. Do not immerse the unit in water or any other liquid. If liquid enters the electrical components of the unit, it may cause a short circuit or electrical shock.

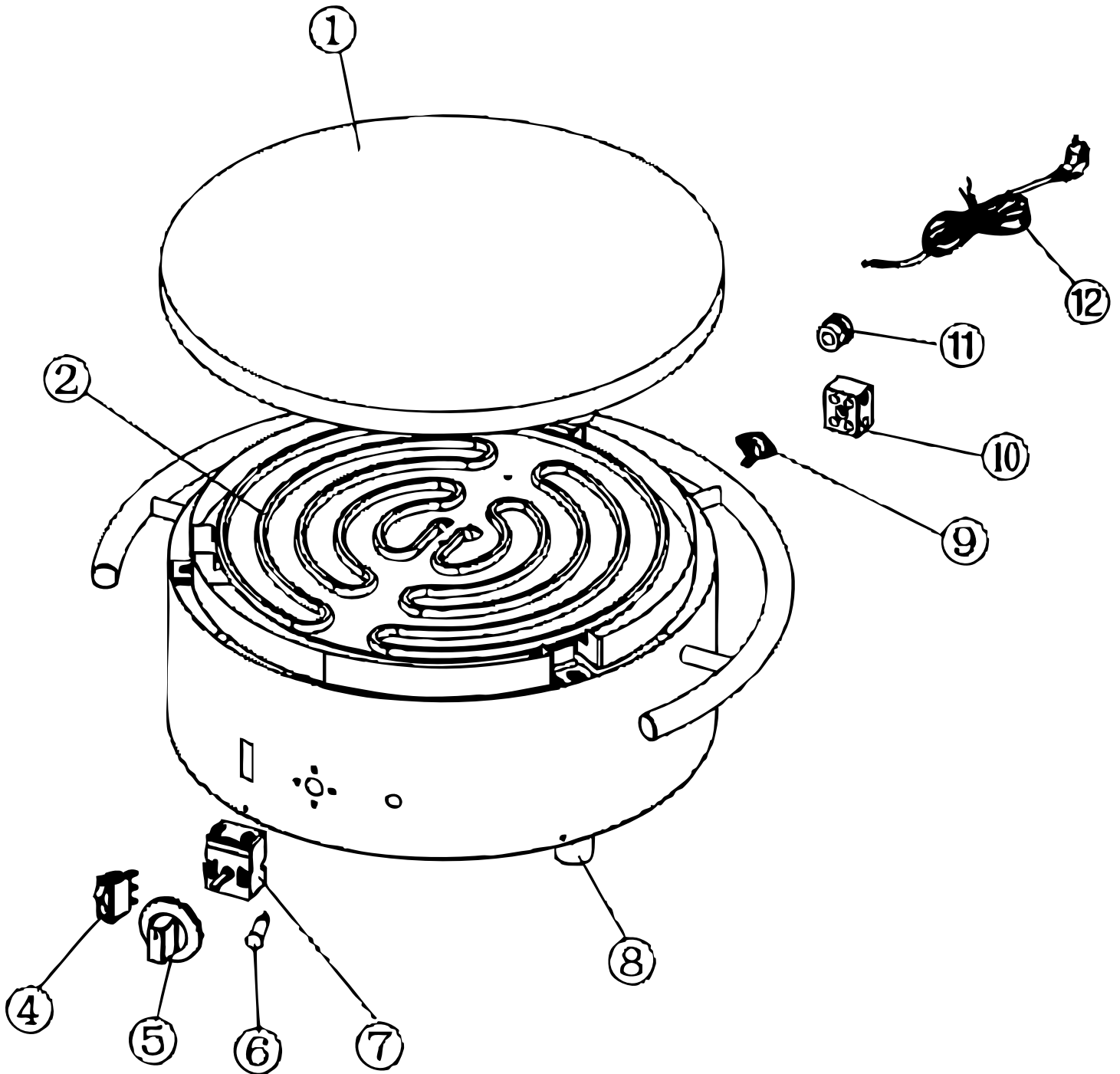
1. Allow unit to completely cool before cleaning.
2. Disconnect the cord from the outlet.
3. Wipe the outside of the unit with a damp cloth, then wipe dry. To avoid damage, do not use abrasive cleaners or scouring pads, chemical residue could damage or corrode the surface of the unit.

Troubleshooting

PROBLEM	CAUSE	REMEDY
Indicator light does not come on when the selector switch is in a position other than "OFF" or 0.	The equipment is not plugged in.	Plug in the equipment.
	Indicator light malfunction.	Replace pilot light.
	Selector switch malfunction.	Replace selector switch.
Indicator light does come on, but the equipment does not heat.	Selector switch malfunction.	Replace selector switch.
	Heating element malfunction.	Replace heating element.

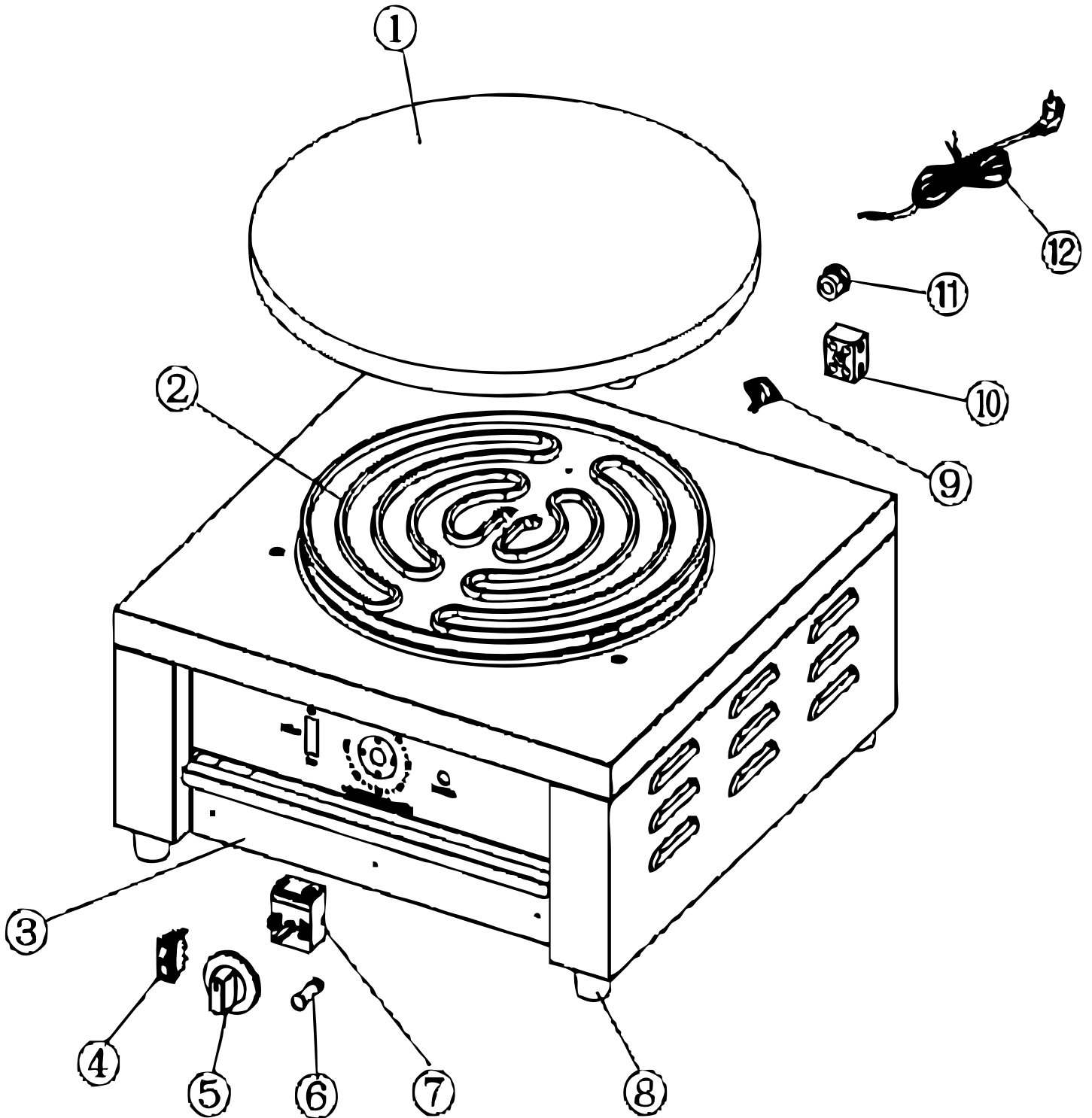
Parts Breakdown

Model **CE-CN-0400R** 47388



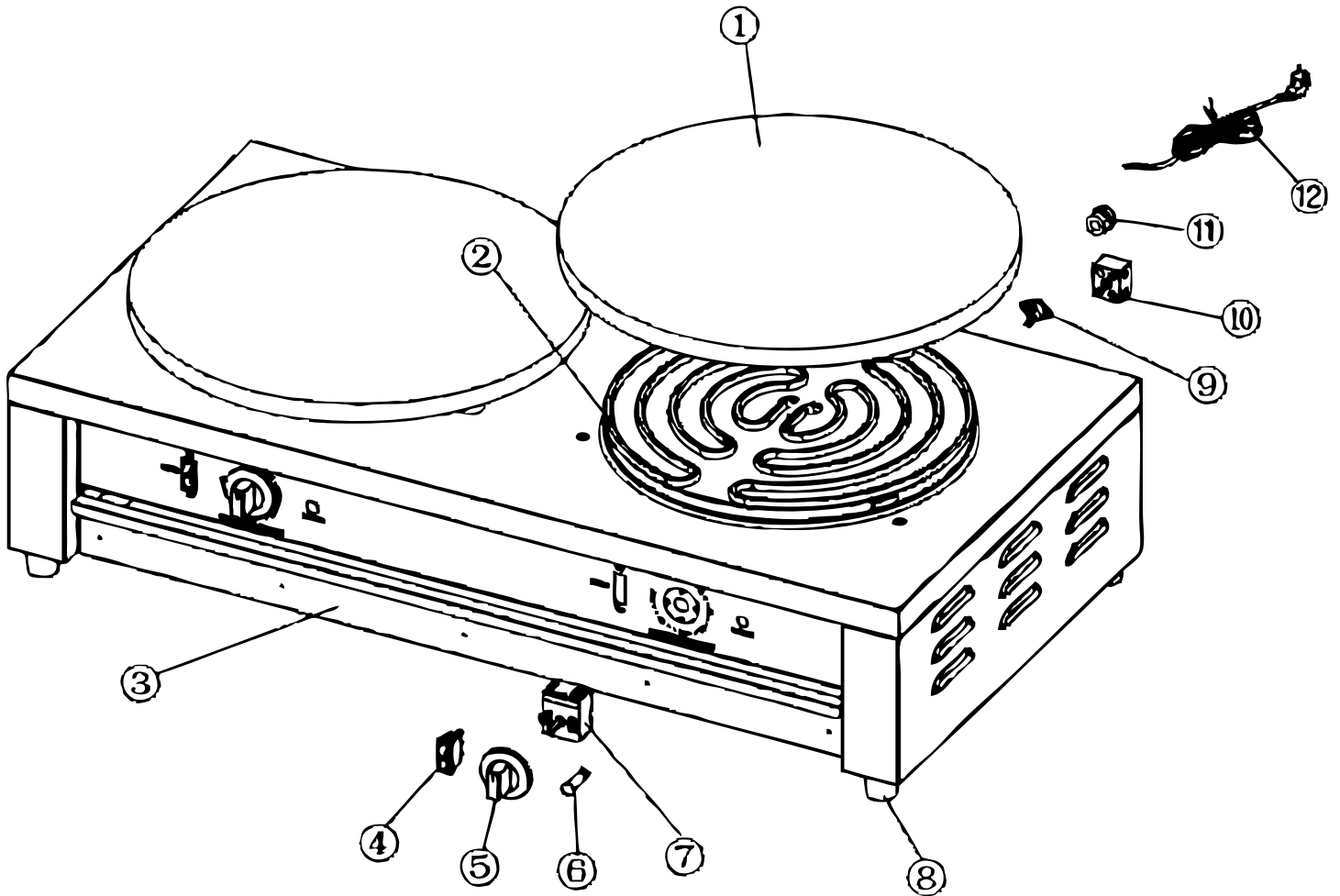
Parts Breakdown

Model CE-CN-0400S 47389



Parts Breakdown

Model CE-CN-0400D 47390



Parts Breakdown

Model CE-CN-0400R 47388

Item No.	Description	Position	Item No.	Description	Position	Item No.	Description	Position
AN826	Cooking Plate for 47388	1	AN828	Heating Indication Light for 47388	6	AN786	Terminal for 47388	10
AN827	Heating Element for 47388	2	AN829	Thermostat for 47388	7	AN785	Power Cord for 47388	11
61915	Switch for 47388	4	AN830	Feet for 47388	8	AN832	Power Cord for 47388	12
61916	Timer and Thermostat Knob for 47388	5	AN831	Temperature Limiter for 47388	9			

Model CE-CN-0400S 47389

Item No.	Description	Position	Item No.	Description	Position	Item No.	Description	Position
AN826	Cooking Plate for 47389	1	61916	Timer and Thermostat Knob for 47389	5	AN831	Temperature Limiter for 47389	9
AN827	Heating Element for 47389	2	AN828	Heating Indication Light for 47389	6	AN786	Terminal for 47389	10
AN833	Crumb Tray for 47389	3	AN829	Thermostat for 47389	7	AN785	Power Cord for 47389	11
61915	Switch for 47389	4	AN830	Feet for 47389	8	AN832	Power Cord for 47389	12

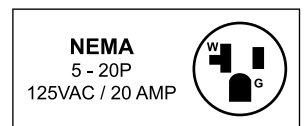
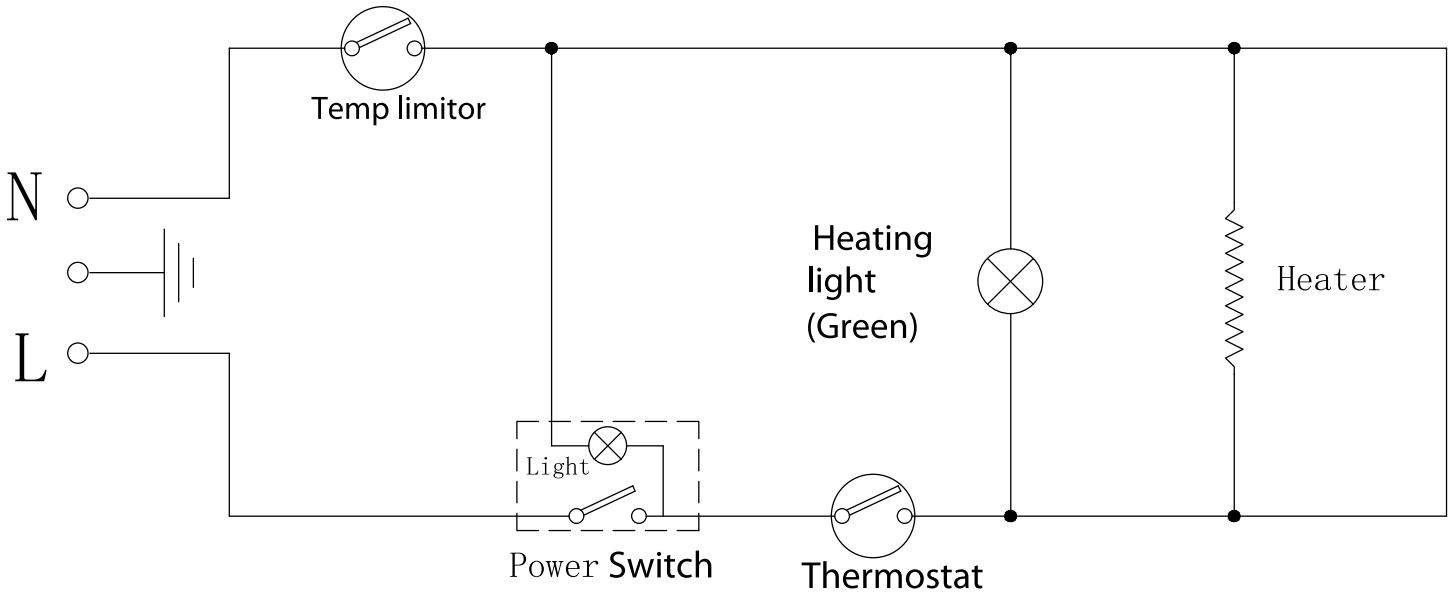
Model CE-CN-0400D 47390

Item No.	Description	Position	Item No.	Description	Position	Item No.	Description	Position
AN826	Cooking Plate for 47390	1	61916	Timer and Thermostat Knob for 47390	5	AN831	Temperature Limiter for 47390	9
AN827	Heating Element for 47390	2	AN828	Heating Indication Light for 47390	6	AN786	Terminal for 47390	10
AN834	Crumb Tray for 47390	3	AN829	Thermostat for 47390	7	AN785	Power Cord for 47390	11
61915	Switch for 47390	4	AN830	Feet for 47390	8	AN832	Power Cord for 47390	12

Electrical Schematics

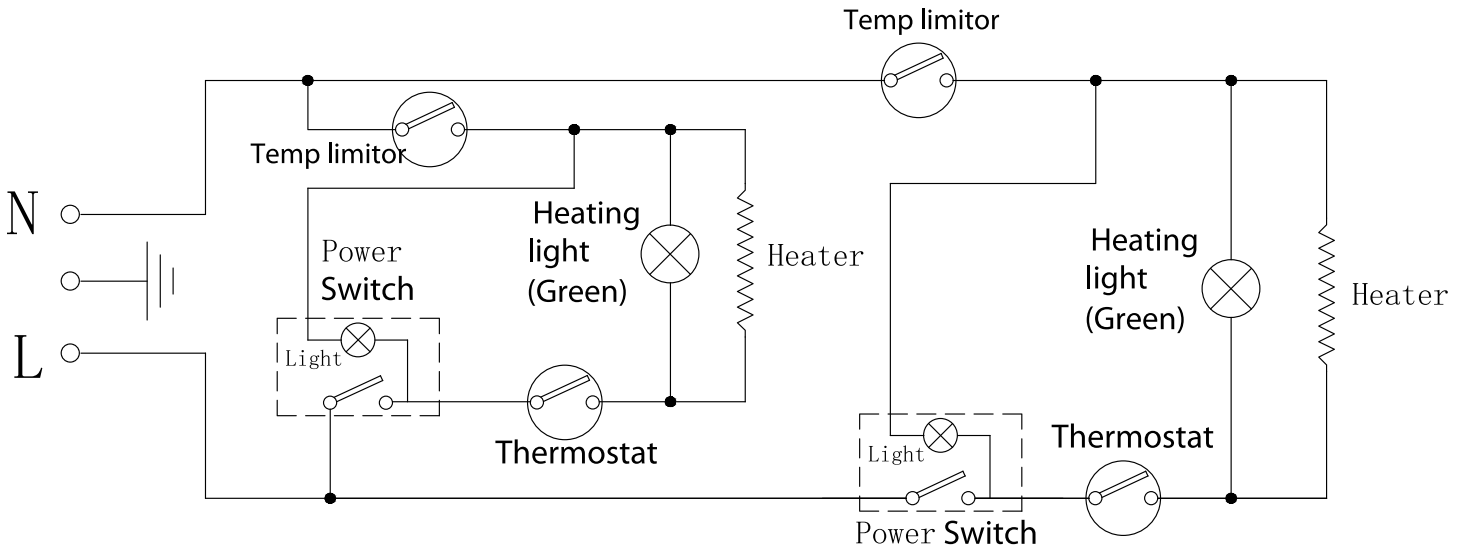
Model CE-CN-0400R 47388

Model CE-CN-0400S 47389



Parts Breakdown

Model CE-CN-0400D 47390



NEMA
5 - 20P
125VAC / 20 AMP



Warranty Registration

Thank you for purchasing an Omcan product. To register your warranty for this product, complete the information below, tear off the card at the perforation and then send to the address specified below. You can also register online by visiting:

Merci d'avoir acheté un produit Omcan. Pour enregistrer votre garantie pour ce produit, complétez les informations ci-dessous, détachez la carte au niveau de la perforation, puis l'envoyer à l'adresse spécifiée ci-dessous. Vous pouvez également vous inscrire en ligne en visitant:

Gracias por comprar un producto Omcan usted. Para registrar su garantía para este producto, complete la información a continuación, cortar la tarjeta en la perforación y luego enviarlo a la dirección indicada a continuación. También puede registrarse en línea en:

<https://omcan.com/warranty-registration/>

For mailing in Canada

Pour postale au Canada

Por correo en Canadá

OMCAN

PRODUCT WARRANTY REGISTRATION

3115 Pepper Mill Court,

Mississauga, Ontario

Canada, L5L 4X5

For mailing in the US

Pour diffusion aux États-Unis

Por correo en los EE.UU.

OMCAN

PRODUCT WARRANTY REGISTRATION

4450 Witmer Industrial Estates, Unit 4,

Niagara Falls, New York

USA, 14305

or email to: service@omcan.com



Purchaser's Information

Name: _____

Address: _____

City: _____ Province or State: _____ Postal or Zip: _____

Country: _____

Dealer from which Purchased: _____

Dealer City: _____ Dealer Province or State: _____

Invoice: _____

Model Name: _____ Model Number: _____

Machine Description: _____

Date of Purchase (MM/DD/YYYY): _____

Would you like to extend the warranty? Yes No

Company Name: _____

Telephone: _____

Email Address: _____

Type of Company:

Restaurant Bakery Deli

Butcher Supermarket Caterer

Institution (specify): _____

Other (specify): _____

Serial Number: _____

Date of Installation (MM/DD/YYYY): _____

Thank you for choosing Omcan | Merci d'avoir choisi Omcan | Gracias por elegir Omcan



Since 1951 Omcan has grown to become a leading distributor of equipment and supplies to the North American food service industry. Our success over these many years can be attributed to our commitment to strengthen and develop new and existing relationships with our valued customers and manufacturers. Today with partners in North America, Europe, Asia and South America, we continually work to improve and grow the company. We strive to offer customers exceptional value through our qualified local sales and service representatives who provide convenient access to over 6,500 globally sourced products.

Depuis 1951 Omcan a grandi pour devenir un des “leaders” de la distribution des équipements et matériel pour l’industrie des services alimentaires en Amérique du Nord. Notre succès au cours de ces nombreuses années peut être attribué à notre engagement à renforcer et à développer de nouvelles et existantes relations avec nos clients et les fabricants de valeur. Aujourd’hui avec des partenaires en Amérique du Nord, Europe, Asie et Amérique du Sud, nous travaillons continuellement à améliorer et développer l’entreprise. Nous nous efforçons d’offrir à nos clients une valeur exceptionnelle grâce à nos ventes locales qualifiées et des représentants de service qui offrent un accès facile à plus de 6500 produits provenant du monde entier.

Desde 1951 Omcan ha crecido hasta convertirse en un líder en la distribución de equipos y suministros de alimentos en América del Norte industria de servicios. Nuestro éxito en estos años se puede atribuir a nuestro compromiso de fortalecer y desarrollar nuevas relaciones existentes con nuestros valiosos clientes y fabricantes. Hoy con socios de América del Norte, Europa, Asia y América del Sur, que trabajan continuamente para mejorar y crecer la empresa. Nos esforzamos por ofrecer a nuestros clientes valor excepcional a través de nuestro local de ventas y representantes de los servicios que proporcionan un fácil acceso a más de 6,500 productos con origen a nivel mundial.

